

FEATURE

- Operating Frequency: 0.5~18GHz
- Stable Performance and High Reliability
- High Isolation
- Low Insertion Loss
- Small Phase & Amplitude Errors
- Operating Temperature: -55~+85°C



APPLICATIONS

- Communication system
- Radar & Warfare system
- Test Equipment

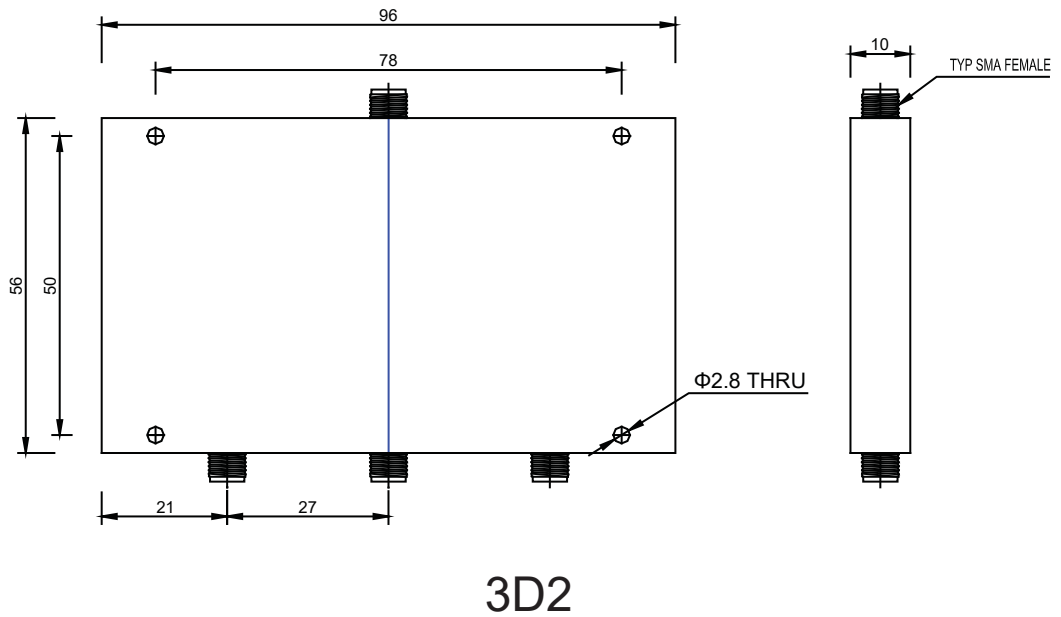
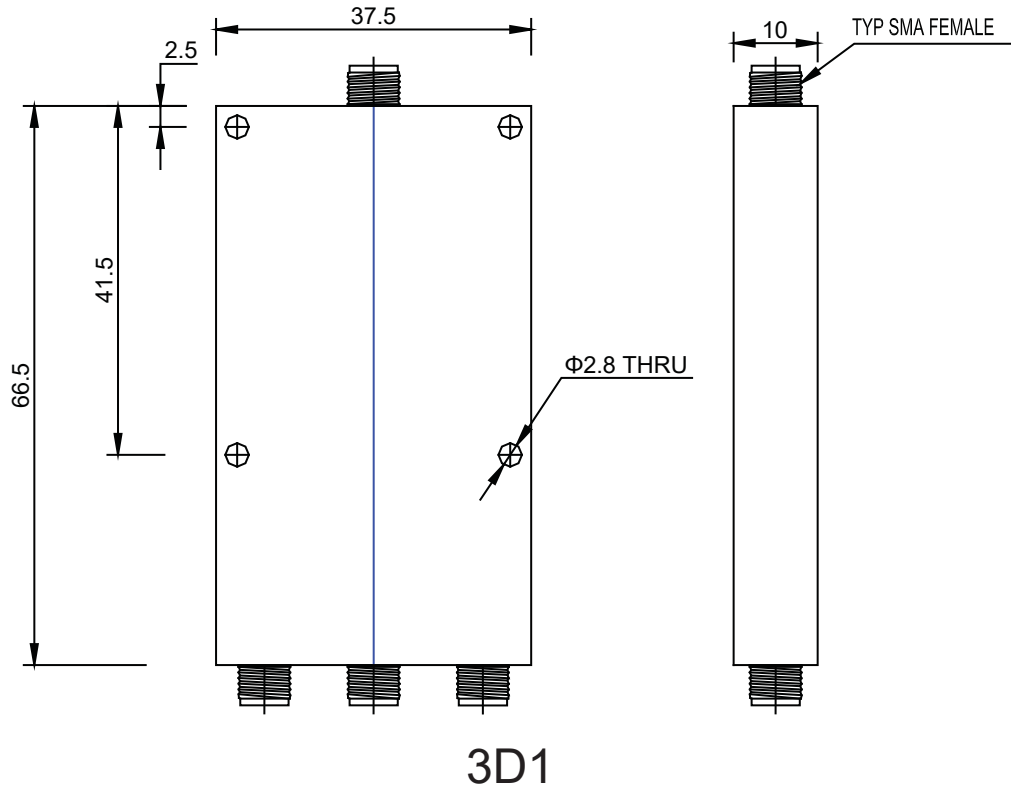
SPECIFICATIONS@25°C:

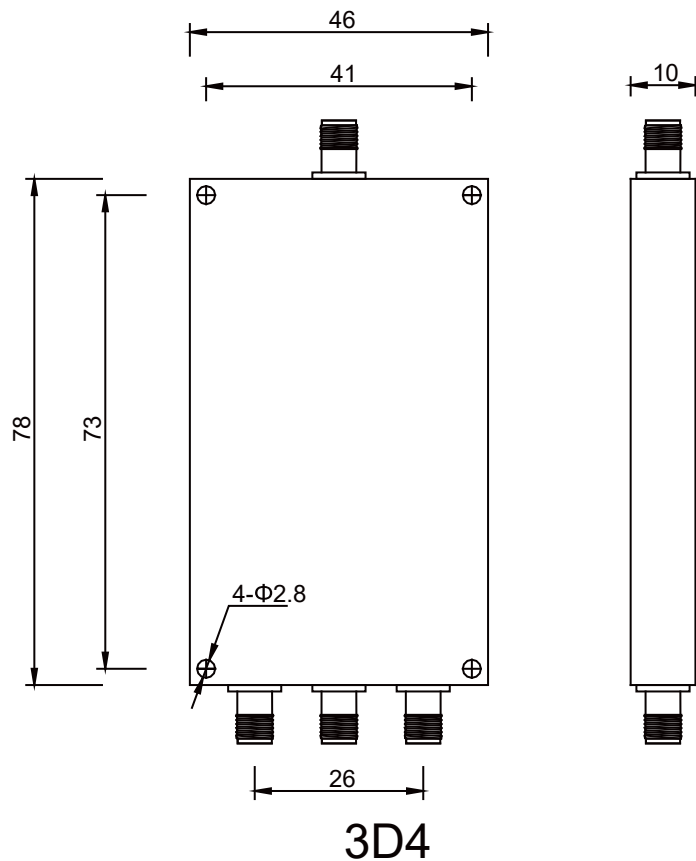
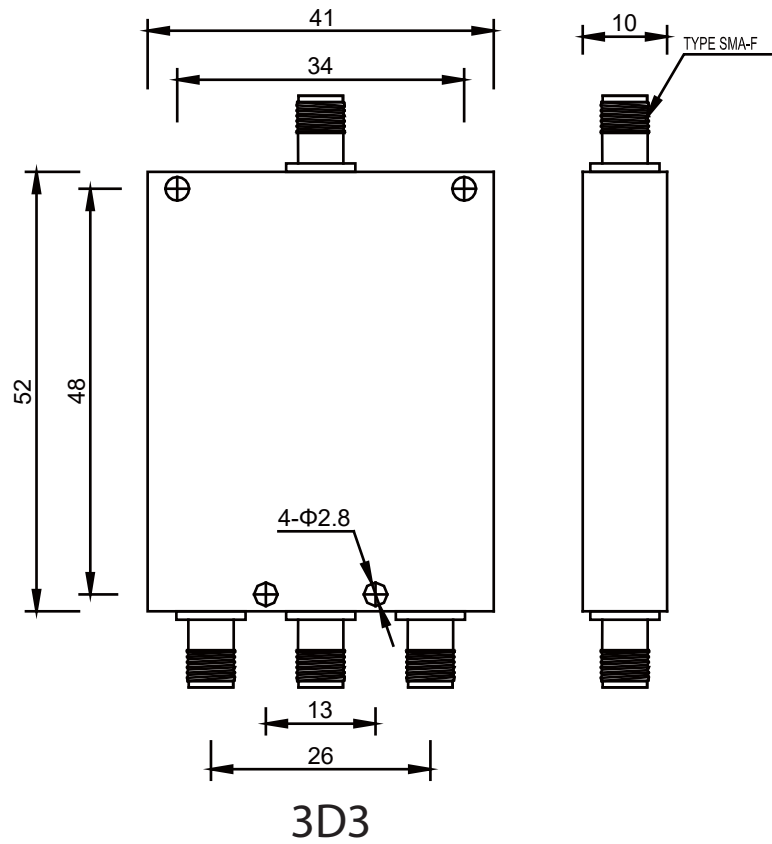
Part Number	Frequency Range (GHz)	Isolation (dB.Max)	Insertion Loss (dB)	VSWR Input (Max)	VSWR Output (Max)	Phase Balance (±deg.Max)	Amplitude Balance (±dB.Max)	Power Handling (W.Avg)	Way	Case Type
MPD001003S3L	0.001-0.3	20	1.5	1.4	1.4	4	0.3	50	3	3D1/3D2
MPD001005S3L	0.001-0.5	20	0.9	1.4	1.4	4	0.3	50	3	3D1/3D2
MPD005020S3L	0.5-2	20	0.8	1.4	1.4	4	0	50	3	3D1/3D2
MPD005020S3M	0.5-2	20	0.8	1.4	1.4	4	0.3	100	3	3D1/3D2
MPD007027S3L	0.698-2.7	18	0.8	1.35	/	5	0.3	30	3	3D10
MPD007027N3M	0.7-2.7	20	0.8	1.3	/	5	0.5	30	3	3D1/3D2
MPD007027S3M	0.7-2.7	20	0.9	1.3	/	5	0.3	30	3	3D6
MPD007027S3H	0.7-2.7	18	0.8	1.35	1.2	4	0.3	100	3	3D1/3D2
MPD080025S3L	0.8-2.5	20	0.6	1.3	/	3	0.3	30	3	3D4
MPD008025S3M	0.8-2.5	20	0.8	1.3	1.25	3	0.4	100	3	3D1/3D2
MPD008025S3H	0.8-2.5	23	0.8	1.4	1.3	3	0.3	100	3	3D1/3D2
MPD008025S3I	0.8-2.5	20	0.6	1.3	/	5	0.5	30	3	3D1/3D2
MPD008035S3H	0.8-3.5	22	0.8	1.4	1.3	3	0.3	100	3	3D1/3D2
MPD010020S3M	1-2	20	1	1.4	1.3	4	0.3	50	3	3D1/3D2
MPD010040S3M	1-4	18	0.8	1.3	/	5	0.5	30	3	3D1/3D2
MPD010040N3M	1-4	18	0.8	1.4	/	5	0.5	30	3	3D1/3D2
MPD010040S3L	1-4	18	0.7	1.4	1.3	3	0.3	30	3	3D13
MPD020040S3L	2-4	18	0.6	1.4	1.3	5	0	20	3	3D1/3D2
MPD020040S3M	2-4	18	0.6	1.3	/	5	0.3	20	3	3D3
MPD020040S3H	2-4	18	0.8	1.4	/	5	0.3	50	3	3D3
MPD020040S3I	2-4	18	0.6	1.3	/	5	0.3	30	3	3D3
MPD020042S3M	2-4.2	20	0.8	1.4	1.3	3	0.3	50	3	3D3
MPD020080N3L	2-8	17	1.2	1.5	/	7	0.7	20	3	3D1/3D2
MPD020080S3L	2-8	18	1	1.4	1.3	5	0	20	3	3D3
MPD020080S3M	2-8	18	1.2	1.4	1.3	6	0.6	30	3	3D1/3D2

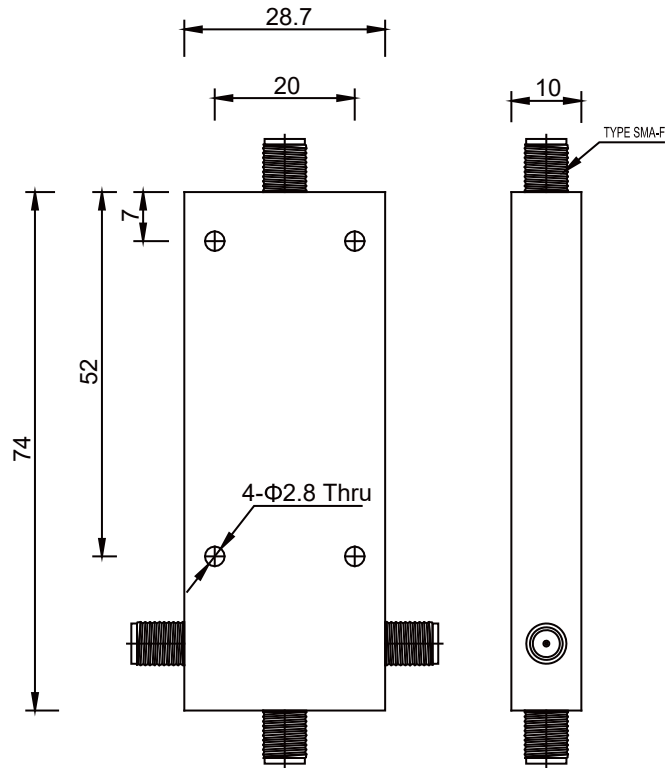


3-WAY WIDE BAND POWER DIVIDER

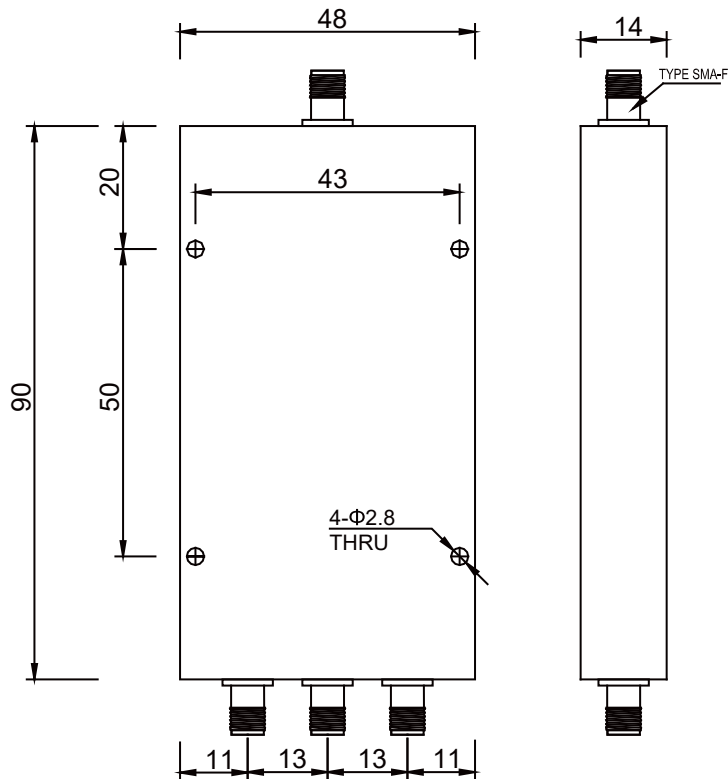
Part Number	Frequency Range (GHz)	Isolation (dB.Max)	Insertion Loss (dB)	VSWR Input (Max)	VSWR Output (Max)	Phase Balance (\pm deg.Max)	Amplitude Balance (\pm dB.Max)	Power Handling (W.Avg)	Way	Case Type
MPD020080S3I	2-8	18	1.1	1.4	/	7	0.7	20	3	3D1/3D2
MPD020180S3L	2-18	20	1.6	1.65	/	9	0.7	30	3	3D11
MPD020180S3M	2-18	20	1.6	1.65	/	9	0.7	30	3	3D12
MPD040080S3M	4-8	18	0.9	1.4	/	5	0.5	20	3	3D3
MPD040180S3M	4-18	15	1.9	1.8	/	14	0.8	10	3	3D5
MPD051059N3M	5.1-5.9	17	1.1	1.4	/	/	0.7	30	3	3D1/3D2
MPD060180S3M	6-18	18	1	1.5	1.5	6	0.5	30	3	3D7
MPD070180S3M	7-18	15	1.2	1.6	/	18	0.8	20	3	3D2
MPD080120S3M	8-12	15	1	1.5	/	5	0.5	10	3	3D2
MPD080120S3L	8-18	18	0.9	1.4	1.4	5	0.5	30	3	3D7
MPD080180S3L	8-18	18	0.8	1.6	/	12	0.5	10	3	3D2
MPD080180S3M	8-18	17	1	1.8	/	14	0.7	20	3	3D2
MPD080180S3H	8-18	18	0.8	1.5	/	12	0.8	20	3	3D9
MPD181183S3L	18.1-18.3	16	1.9	1.7	/	8	0.7	20	3	3D7
MPD210250S3L	21-25	15-20	2	2	/	/	/	/	3	3D8



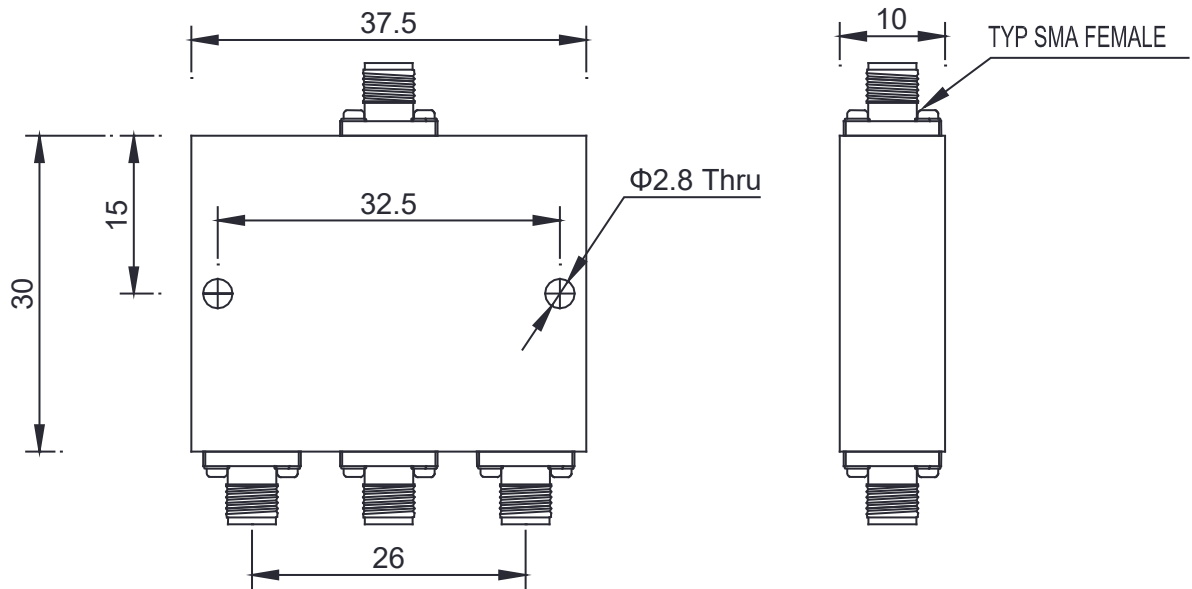




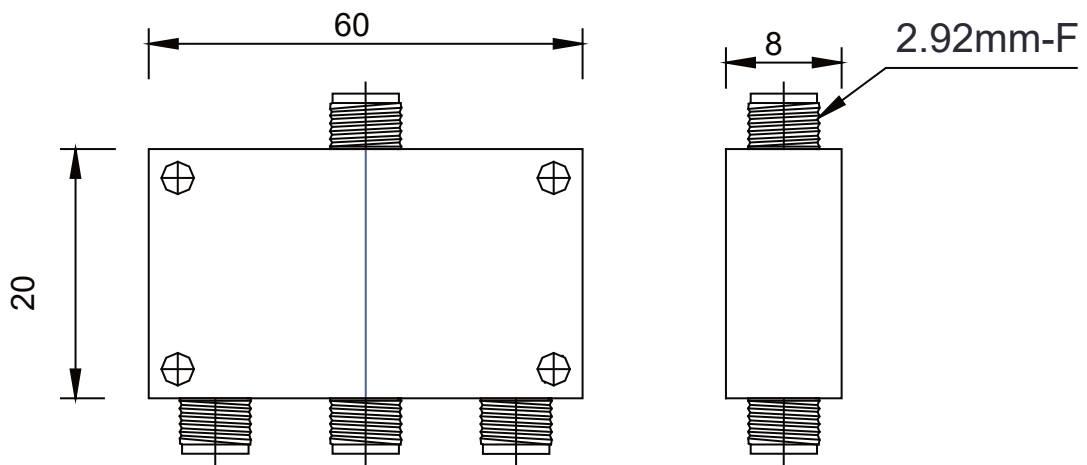
3D5



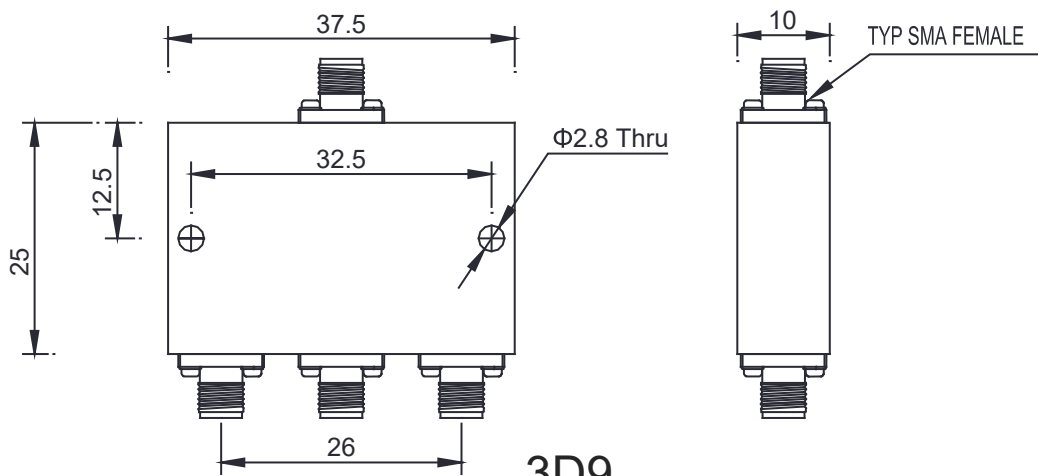
3D6



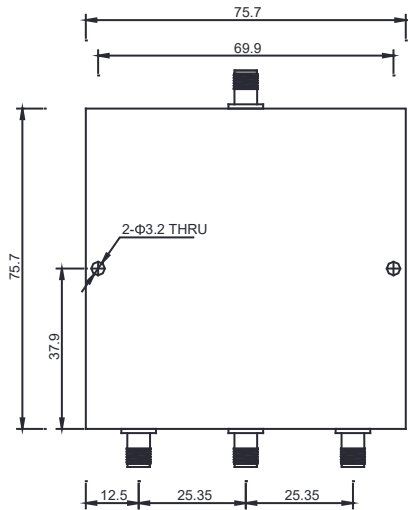
3D7



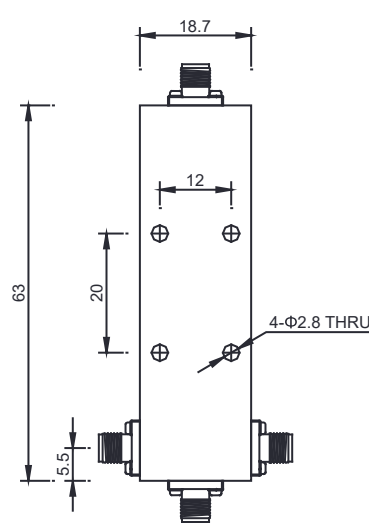
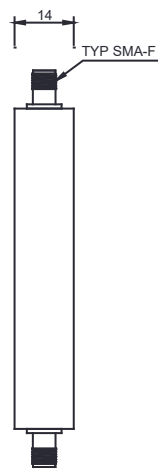
3D8



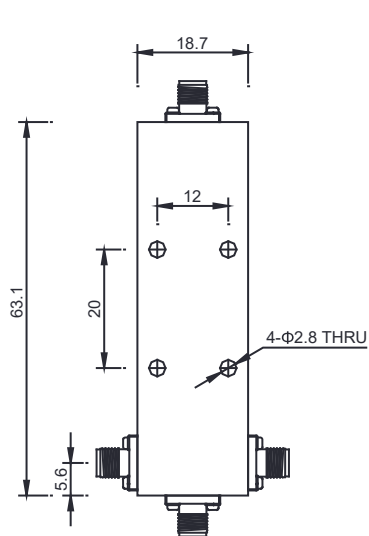
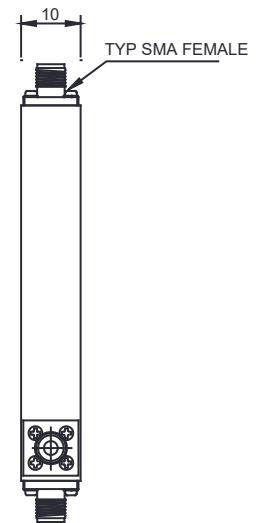
3D9



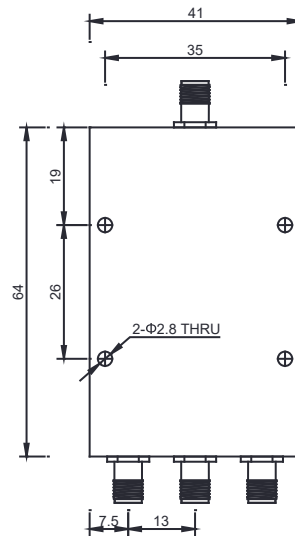
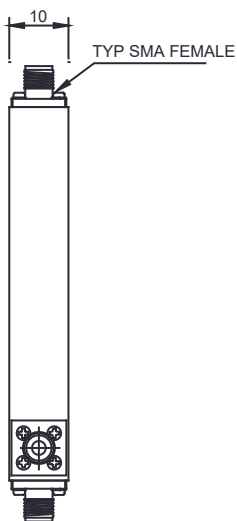
3D10



3D11



3D12



3D13

